

## aMbooo Tec – technics Cladding installation guide

### Cladding facade and ceiling panel

Dimension:                 $\frac{1}{2}'' \times 2 \frac{3}{4}' \times 7'' \ 3'$  (12 x 73 x 2200 mm)  
                                   $\frac{1}{2}'' \times 5 \frac{1}{2}' \times 7'' \ 3'$  (12 x 143 x 2200 mm)  
 Material:                 HCS bamboo boards

Due to its shape, the profile is suitable for cladding installation. For mounting a clip is used here, with a 4.5x25mm screw.

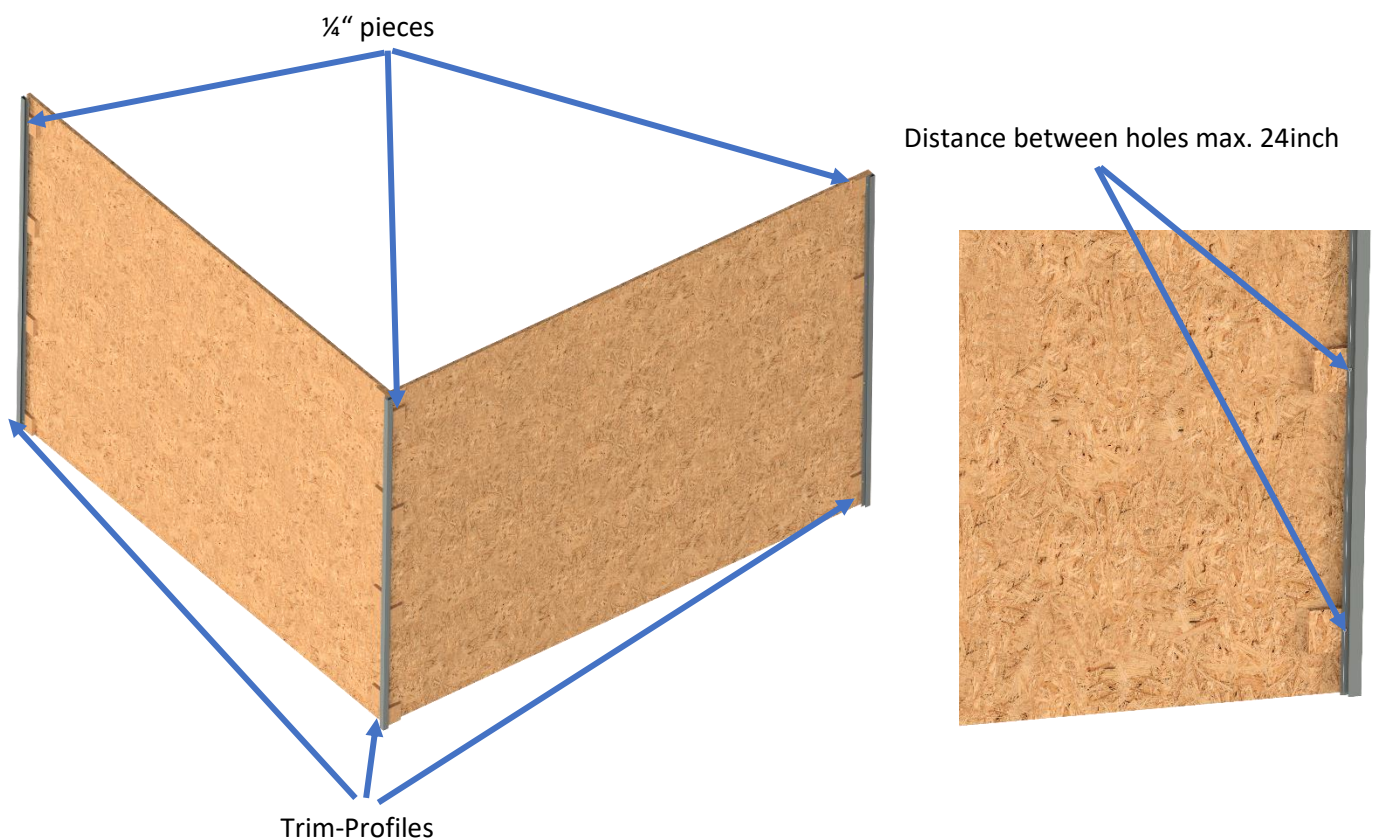
The distance between the fixing points should not exceed 16 inch ( 400mm ).

It can be installed with or without a substructure, depending on the building structure.

We recommend the use of a substructure to obtain an even, straight surface.

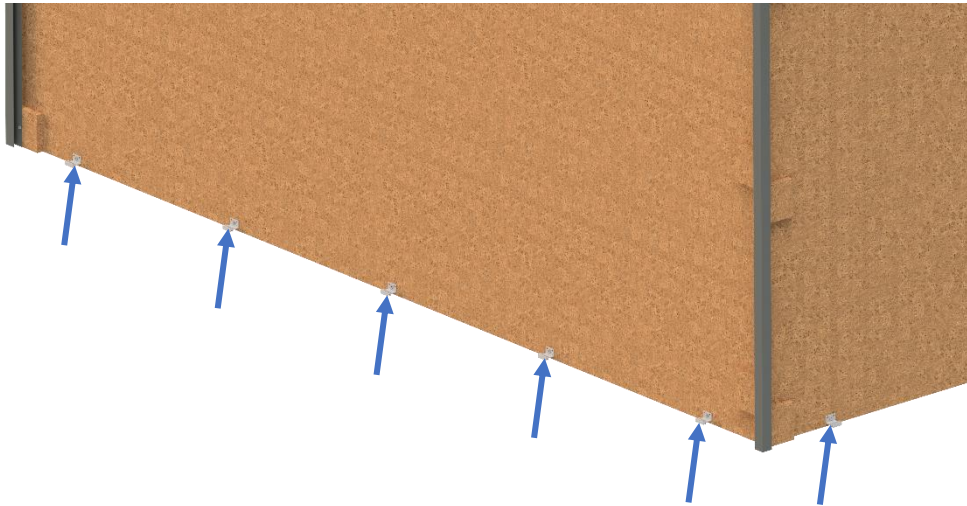
### Mounting:

The assembly starts with fixing the trim profiles on the corners and the outer edges. For mounting the corners,  $\frac{1}{4}''$  pieces are fixed on the wall. They have to be placed under the holes of the profiles. The holes in the profile must be pre-drilled every 24inch.



The next step is, to place the first row of clips. One screw is used per clip. If the building is located in the hurricane danger zone, 3 screws must be used.

Starting from the first clip, the other clips are placed 24inch apart. These are aligned using a spirit level.

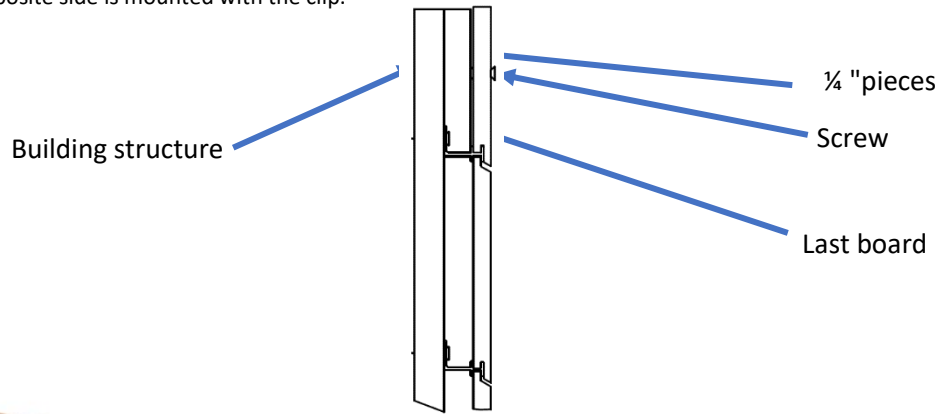


When the first row of clips is aligned, the first aMbooo Cladding No.1 can be placed on the clips. To do this, it must also fit into the trim-profile. On the first board, the next row of clips can be set and screwed to the wall.

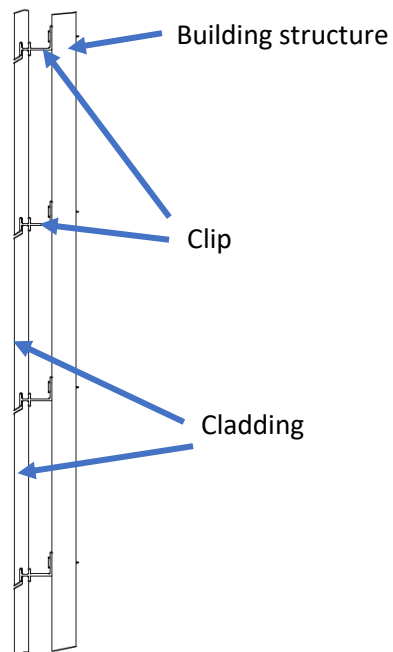


### Installation last board:

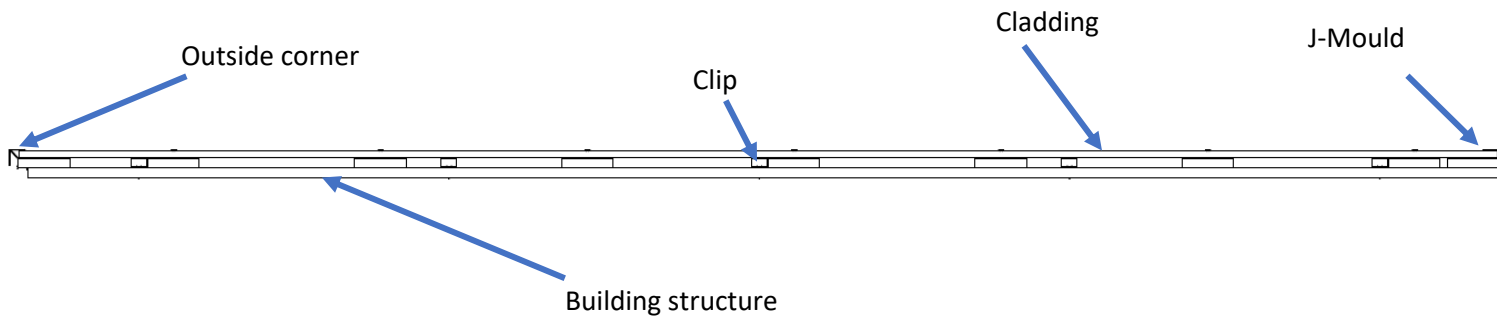
The last board must be fixed with a screw at the beginning or at the end respectively.  
The opposite side is mounted with the clip.



### View from the Side



View from the Top



Drawing

